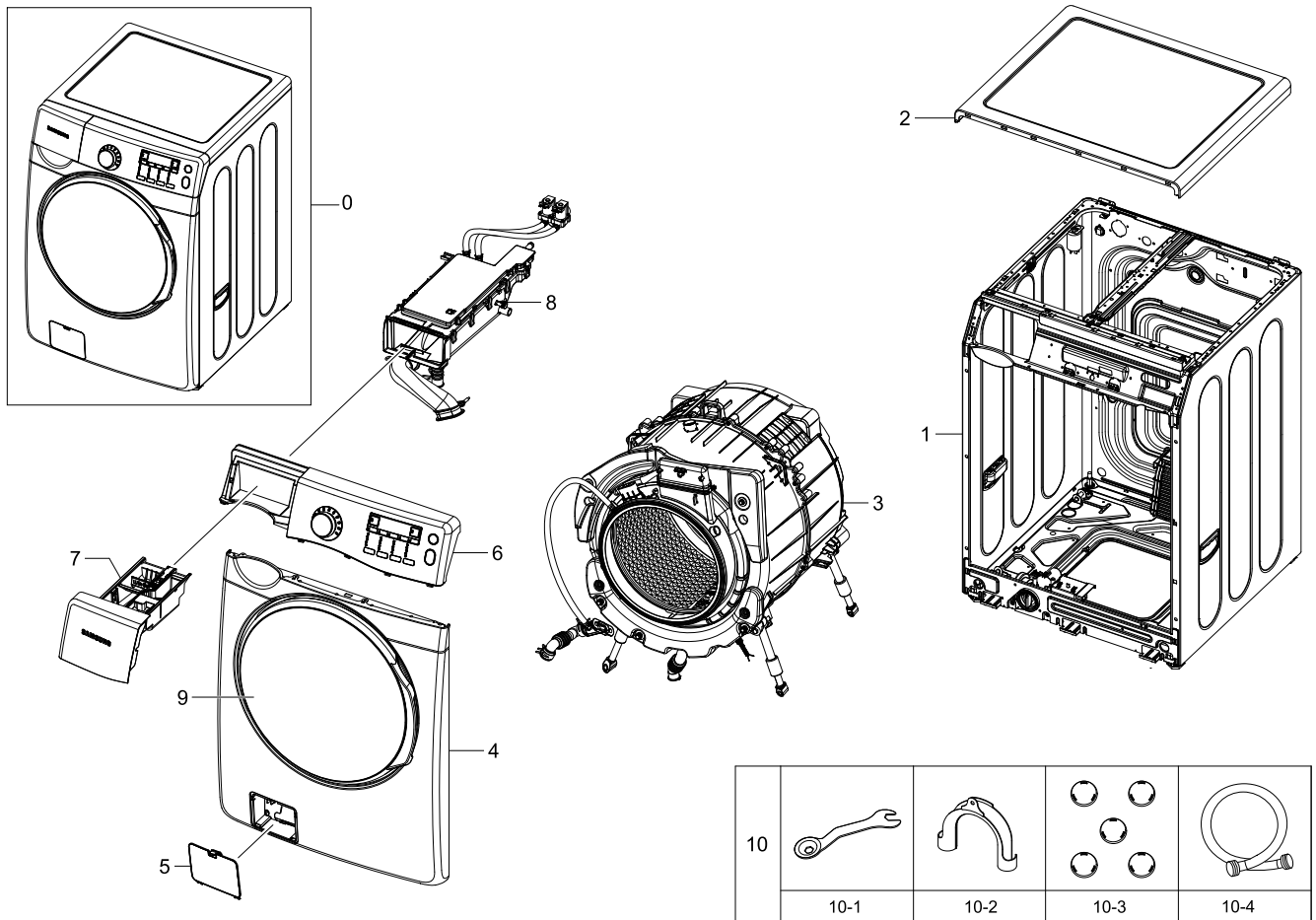


# 1. Main

## Exploded View



## Parts List

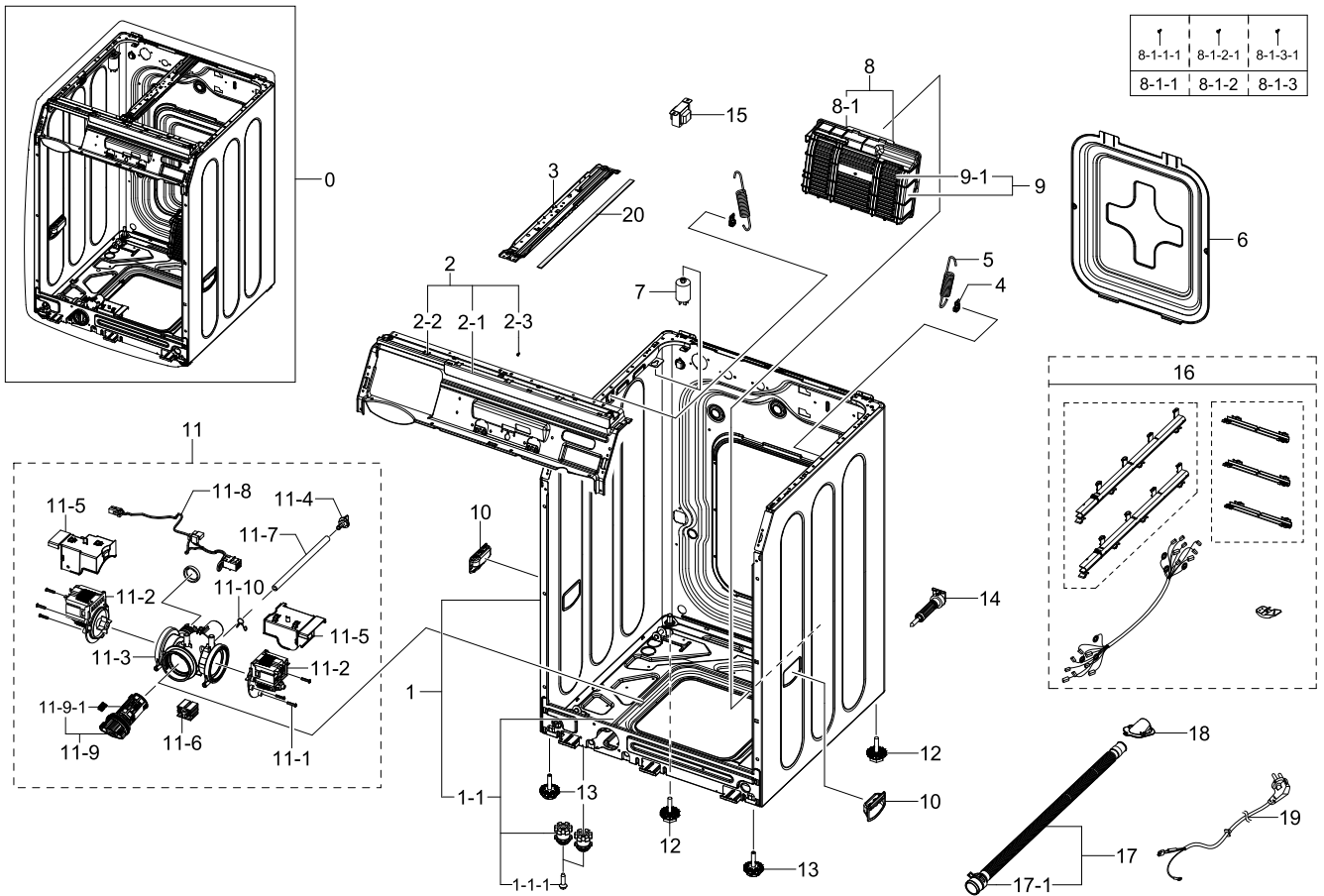
No.	Lvl.	Loc.	Material Code	Description & Specification	SNA	Qty.
1	2	WF0004	DC97-16929A	ASSY FRAME; YUKON GLOBAL,WF431ABW/XTW,WHT	SNA	1
2	2	WF0003	DC97-18853A	ASSY COVER TOP; YUKON GLOBAL,WF431ABW/XEF	SNA	1
3	1	WG0013	DC90-09358A	ASSY TUB & DRUM; YUKON-GLOBAL,WF431ABP/XEU	SNA	1
4	2	WF0005	DC97-16525T	ASSY FRAME FRONT; YUKON GLOBAL,WF431ABW/X	SA	1
5	2	WI0167	DC63-00878A	COVER-FILTER; WF438AAC/XAA,ABS,T2.5,-,NEA	SA	1
6	2	WC0016	DC97-18847A	ASSY PANEL CONTROL; WF431ABW/XEF,FRENCH	SNA	1
7	2	WR0005	DC97-16619R	ASSY DRAWER; YUKON GLOBAL,WF431ABW/XEF	SNA	1
8	2	WR0008	DC97-14522R	ASSY HOUSING DRAWER; YUKON-GLOBAL,WF431AB	SNA	1

Exploded Views and Parts List

No.	Lvl.	Loc.	Material Code	Description & Specification	SNA	Qty.
9	2	WD0003	DC97-16099Q	ASSY DOOR; YUKON-K,WR-PP179CS,EP HINGE,CR	SA	1
10	2	WA0002	DC98-01495C	ASSY ACCESSORY; YUKON GLOBAL,WF431ABW/XEF	SNA	1
10-1	3	WJ5077	DC60-40146A	BOLT SPANER; CR,T2.5,-	SA	1
10-2	3	WH5379	DC62-10278A	HOSE HANGER; PUMP MODEL,PP,BLACK	SA	1
10-3	3	WA5001	DC67-00307A	CAP-FIXER; WF438AAC/XAA,PP,T1.5,RECYCLE,B	SC	5
10-4	3		DC97-17845A	ASSY HOSE WATER; COLD,ALL MODEL	SA	1

## 2. Assy Frame&Cover Parts

### Exploded View



### Parts List

No.	Lvl.	Loc.	Material Code	Description & Specification	SNA	Qty.
1	2	WF0004	DC97-16929A	ASSY FRAME; YUKON GLOBAL,WF431ABW/XTW,WHT	SNA	1
1-1	3	WF0015	DC97-14603K	ASSY PLATE BOTTOM; YUKON,-,-	SNA	1
1-1-1	4	WX0555	6011-001565	BOLT-HEX; M6,L35.1,ZPC(WHT),SWCH25K,TAPPI	SA	2
2	2	WF0008	DC97-14843E	ASSY FRAME PLATE(U); YUKON-BEST,WF461	SA	1
2-1	3	WI0235	DC61-02008B	GUIDE PANEL; WF438AAW,PP,T2.0,FC2305/NTR,	SA	1
2-2	3	WF0088	DC61-02012B	FRAME PLATE-UP; WR-PA179UR,GI-SGCC,T1.6,W	SA	1
2-3	3	WX0441	6002-000520	SCREW-TAPPING; TH,+,-,2,M4,L12,ZPC(WHT),S	SA	1
3	2	WI0278	DC61-01200B	GUIDE WIRE; WF206LNW,GI-SGCC,T0.8,MARS-PJ	SA	1

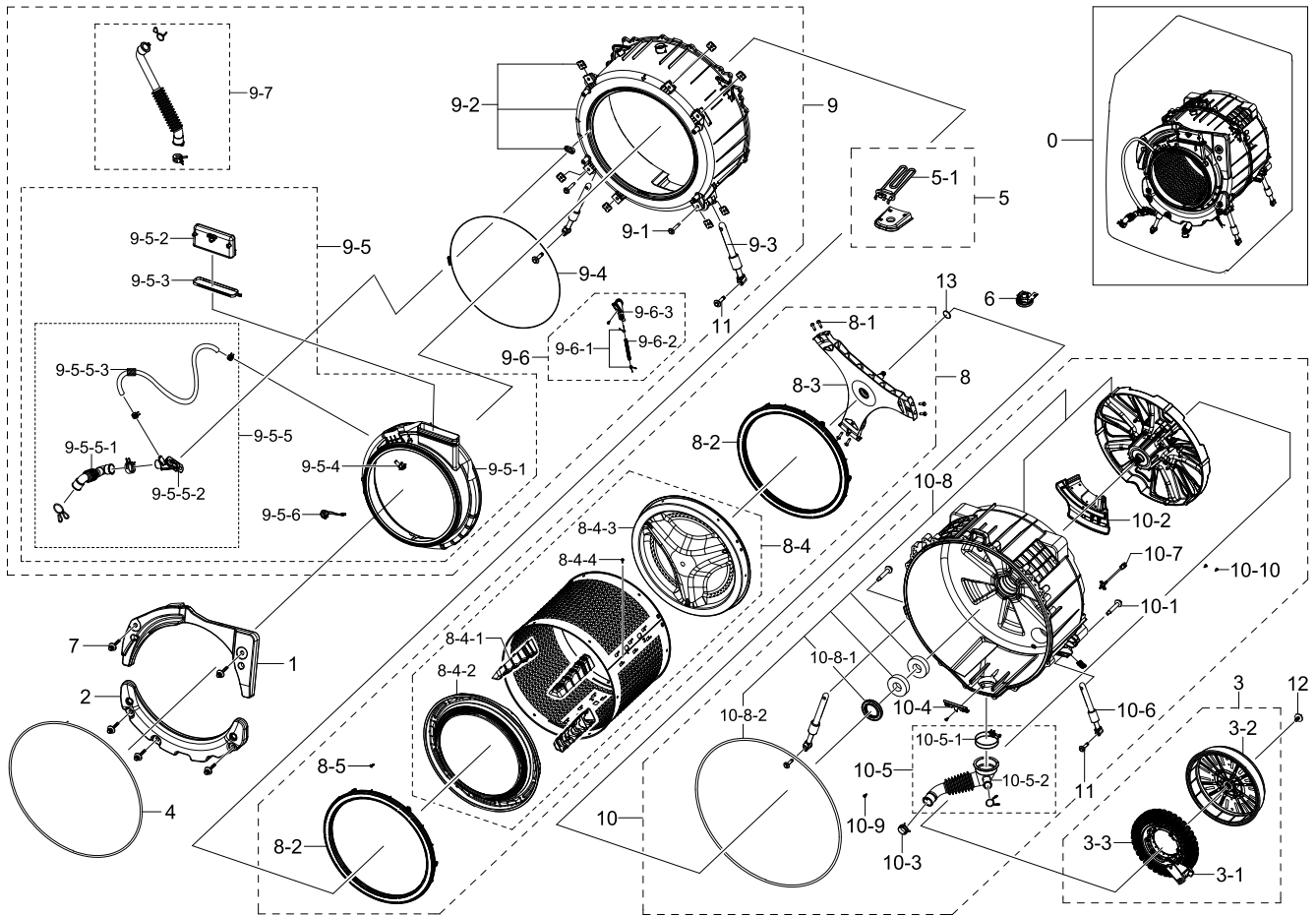
Exploded Views and Parts List

No.	Lvl.	Loc.	Material Code	Description & Specification	SNA	Qty.
4	2	WI0266	DC61-02065A	GUIDE SPRING; WF448AAG/XXA,POM,T4,W24,L36	SA	2
5	2	WF0102	DC61-01257N	SPRING ETC-HANGER; GRACE-S PJT,SWP,CD4.5,	SNA	2
6	2	WF0042	DC63-00522A	COVER BACK; GW-PJT,GI,T0.35,-,-	SA	1
7	2		DC29-00015G	FILTER EMI; LFT-215G,-,AC 250V,15,53*95.5	SA	1
8	2	WZ0010	DC92-00658L	ASSY PCB MAIN; P171,YUKON-GLOBAL,UK,Y,SMP	SA	1
8-1	3	WZ0050	DC94-04233A	ASSY PCB MANUAL; YUKON-Global,DC92-00658L	SNA	1
8-1-1	4		DC93-00141A	ASSY HEAT SINK 1; HEATSINK(DC62-00243A	SNA	1
8-1-1-1	5	WX0615	6002-000630	SCREW-TAPPING; PH,+,NO,2S,M3,L8,ZPC(WHT),	SA	1
8-1-2	4		DC93-00162A	ASSY HEAT SINK 1; HEATSINK(DC62-00243A	SNA	1
8-1-2-1	5	WX0615	6002-000630	SCREW-TAPPING; PH,+,NO,2S,M3,L8,ZPC(WHT),	SA	1
8-1-3	4		DC93-00163B	ASSY HEAT SINK 1; DC62-00243A,7815(120	SNA	1
8-1-3-1	5	WX0615	6002-000630	SCREW-TAPPING; PH,+,NO,2S,M3,L8,ZPC(WHT),	SA	1
9	2	WI0017	DC92-00732A	ASSY COVER PCB(M); YUKON-BEST,WF461,N	SA	1
9-1	3	WI0196	DC63-01379A	COVER-PCB(M); WF461,PP,-,W305.6,L181.9,-,	SA	1
10	2	WI5007	DC97-15854A	ASSY HANDLE; ACE,DRUM WASHER,WHITE	SA	2
11	2		DC96-01585Z	ASSY PUMP DRAIN; YUKON GLOBAL,230V	SA	1
11-1	3		6002-001436	SCREW-TAPPING; PH,+,2,M4,L18,ZPC(WHT),SWR	SNA	6
11-2	3	WU5008	DC31-00030A	PUMP-DRAIN; B20-6 / S3001,220V-240V,50Hz,	SA	2
11-3	3	WU0023	DC61-02017G	CASE-PUMP; WF448AAG,PP,-,-,-	SNA	1
11-4	3	WI0107	DC61-10673A	CAP DRAIN; PP,-,-,CNTK-P-101,INNER GRAY	SNA	1
11-5	3	WI0203	DC63-00981A	COVER PUMP; -,PP,T2.0,W101.5,L57.7,V0,WHT	SNA	1
11-6	3	WO0031	DC63-00888A	CUSHION PUMP; WF448AAG,EPDM,-,-,-,40,BLK	SNA	1
11-7	3	WH5224	DC67-00244A	HOSE DRAIN; HOSE-DRAIN,EPDM,ID6,OD11,T2.5	SA	1
11-8	3		DC93-00150C	ASSY M. WIRE HARNESS-PUMP; YUKON-BEST,120	SA	1
11-9	3	WA0006	DC97-16991B	ASSY FILTER; DRUM W/M,CLICK HANDLE-FILTER	SA	1
11-9-1	4		DC61-03589A	SPRING ETC; YUKON-2K,STAINLESS-ST304	SNA	1
11-10	3		DD65-00001F	CLAMPER HOSE; HSWR-SWRH,D10.5/T1.2	SNA	1
12	2		DC97-00920S	ASSY LEG; WM PW01 FWM MODEL,K4	SA	2
13	2		DC97-14293D	ASSY LEG; WM PW01 FWM MODEL,K4	SA	2
14	2	WJ5006	DC97-14489A	ASSY FIXER TUB; PURPLE-PJT,WF438AAC/XAA,-	SA	3

No.	Lvl.	Loc.	Material Code	Description & Specification	SNA	Qty.
15	2	WE0145	DC26-00009D	COIL HARMONIC; 8.5mH,15%,SILICON STEEL	SA	1
16	2	WW0026	DC93-00251G	ASSY M.GUIDE WIRE HARNESS; YUKON-GLOBAL,W	SA	1
17	2	WH5029	DC97-12534D	ASSY HOSE DRAIN(I); -,WF448AAW,BLOW-SPIRA	SA	1
17-1	3	WJ5075	DC61-01679A	CLAMPER HOSE; SEW-HFR177AR,SK5,NATURAL,-	SA	1
18	2		DC61-02084A	GUIDE HOSE; PP,T2.0,HB,CNTK-P-101,INNER G	SA	1
19	2	WE0016	DC96-00146A	ASSY POWER CORD; VDE,EU3F,E.U,250V/16A,H0	SC	1
20	2	WO0067	DC72-00012P	ABSORBER SPONGE; WF448AAP,PUR FOAM,T3,W80	SA	1

### 3. Assy Tub&Drum

#### Exploded View



#### Parts List

No.	Lvl.	Loc.	Material Code	Description & Specification	SNA	Qty.
0	1	WG0013	DC90-09358A	ASSY TUB & DRUM; YUKON-GLOBAL,WF431ABP/XEU	SNA	1
1	2		DC67-00787A	WEIGHT BALANCER; WD17H7300KW,CONCRETE,NAT	SNA	1
2	2		DC67-00788A	WEIGHT BALANCER; WD17H7300KW,CONCRETE,BLA	SNA	1
3	2	WS0004	DC93-00168A	ASSY DD BLDC MOTOR; BIG-BANG(U.S),COM1500	SNA	1
3-1	3	WE0111	DC31-00098A	MOTOR BLDC-ASSY HALL SENSOR; COM1300,1200	SA	1
3-2	3	WS0085	DC31-00112A	MOTOR BLDC-ASSY ROTOR; COM1500P,1200,-,56	SA	1
3-3	3	WS0086	DC31-00111A	MOTOR BLDC-ASSY STATOR; COM1500P,1200,-,6	SA	1
4	2	WJ0008	DC97-04973B	ASSY WIRE DIAPHRAGM; SEW-HFR167AR,STS204	SA	1

No.	Lvl.	Loc.	Material Code	Description & Specification	SNA	Qty.
5	2	WE0010	DC96-01417H	ASSY HEATER; WD0150VDX/XSG,NORMAL HEATER	SNA	1
5-1	3	WE0092	DC47-00006V	HEATER; AC230V,2000W,SUS316L,560mm,NON	SA	1
6	2	WE0125	DC96-01703B	SENSOR PRESSURE; Air,5V,-,400mmH20,-	SA	1
7	2	WJ5042	DC97-02412A	ASSY BOLT; MOTOR/ M8*L62,,,,,,	SA	5
8	2	WG0004	DC97-14380C	ASSY DRUM; WF448	SA	1
8-1	3	WJ5081	DC60-40137A	BOLT HEX; MARS-PJT,STS430,M8,P1.25,L30,HE	SA	6
8-2	3	WT5011	DC97-12135A	ASSY BALANCER; ZEUS-PJT,-,-,-,-	SA	2
8-3	3	WS0006	DC97-16509B	ASSY FLANGE SHAFT; WF448	SA	1
8-4	3	WG0007	DC97-14575C	ASSY DRUM WRAPPER; WF448AAW	SA	1
8-4-1	4	WG0055	DC66-00508A	DRUM LIFTER; PURPLE- PJT,PP,-,-,-,CP,-	SA	3
8-4-2	4	WG0054	DC66-00506A	DRUM FRONT; PURPLE PJT,STAINLESS-STS430,T	SNA	1
8-4-3	4	WG0053	DC66-00507A	DRUM BACK; PURPLE- PJT,STAINLESS-STS430,T	SNA	1
8-4-4	4	WX0458	6002-001186	SCREW-TAPPING; TH,+,-,2,M5.5,L16,PASS,STS	SA	3
8-5	3	WX0458	6002-001186	SCREW-TAPPING; TH,+,-,2,M5.5,L16,PASS,STS	SA	12
9	2	WT0008	DC97-17099L	ASSY TUB FRONT; YUKON-GLOBAL,WF431ABP/XEU	SNA	1
9-1	3		DC60-00113A	BOLT HEX; SM10C,L66,BOLT+WASHER	SA	2
9-2	3	WT0004	DC97-14541R	ASSY SEMI TUB FRONT; YUKON-GLOBAL,-	SA	1
9-3	3	WB5199	DC66-00343F	DAMPER SHOCK; GW-PJT,STEEL+PP+RUBBER,WHIT	SA	2
9-4	3	WJ0002	DC97-04981F	ASSY CLAMP DIAPHRAGM; PURPLE,WF448AAW,-,-	SA	1
9-5	3	WJ0004	DC97-14560T	ASSY DIAPHRAGM; YUKON-GLOBAL,WF431ABP/XEU	SA	1
9-5-1	4	WD0067	DC64-01810D	DOOR DIAPHRAGM; WF431ABP/XEU,EPDM,GRAY	SA	1
9-5-2	4	WI0106	DC67-00318A	CAP DIAPHRAGM; -,FRPP,T2.5,W161.1,-,H81,N	SA	1
9-5-3	4	WJ0041	DC66-00423A	JOINT DIAPHRAGM; K4-PJT,EGI,T1.0	SNA	1
9-5-4	4	WJ0047	DC62-00258A	NOZZLE DIAPHRAGM; WF448AAG,PP,OD10.6,W26.	SNA	1
9-5-5	4		DC97-15411F	ASSY HOSE AIR; PURPLE COMBO,WD0150VDX/XSG	SA	1
9-5-5-1	5	WH5201	DC67-00373A	HOSE AIR TUB; SEW-HPR189ATS,EPDM,ID25,OD3	SA	1
9-5-5-2	5	WH5207	DC67-00353A	HOSE CONNECTOR; SEW-HAR149AUA,FRPP,NTR	SA	1

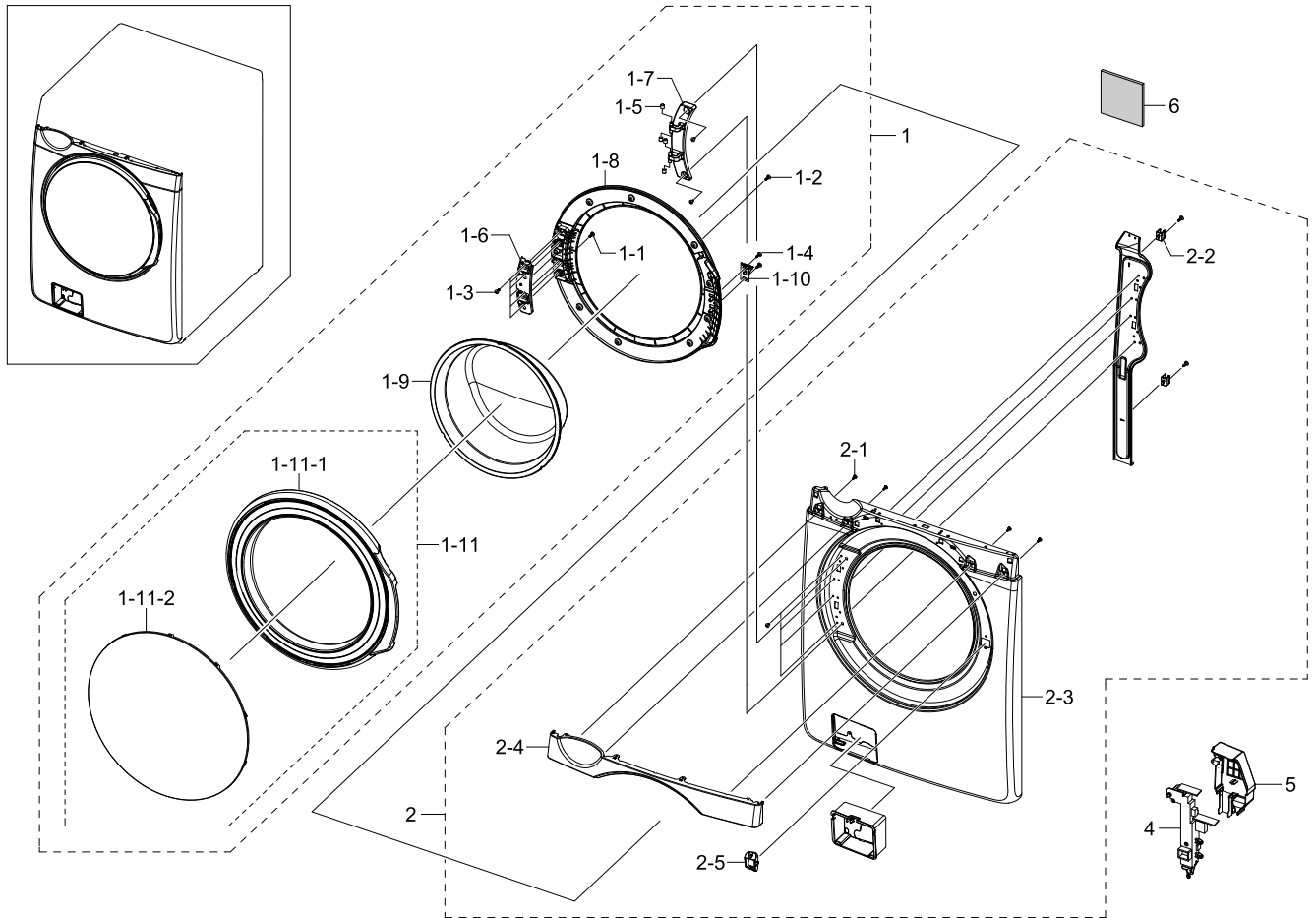
Exploded Views and Parts List

No.	Lvl.	Loc.	Material Code	Description & Specification	SNA	Qty.
9-5-5-3	5	WO0061	DC72-00011E	ABSORBER SPONGE; WF448AAW,PE FOAM,T1.0,W3	SA	2
9-5-6	4		DC47-00027E	ASSY LAMP LED; 2ea,FR-1,197*117,WHITE,AMP	SA	1
9-6	3	WH0003	DC97-14545F	ASSY HOSE PRESSURE; PURPLE	SA	1
9-6-1	4	WP0165	DC61-70029C	CLIP RING; SEW-HW125,HSWR-SWRH,WHITE	SA	2
9-6-2	4	WO0059	DC63-10056P	ABSORBER SPONGE; SEW-3HR125,KIMOJI,T1.0,W	SNA	2
9-6-3	4		DC67-00492A	HOSE JOINT AIR; WF520,PP,-,T1.5,WHITE,-	SNA	1
9-7	3	WH5385	DC97-16106A	ASSY HOSE AIR; GRACE,WF520,AIR HOSE	SA	1
10	2	WT0007	DC97-14540Y	ASSY TUB BACK; PURPLE-K,WW-/WASH/HCH BEAR	SNA	1
10-1	3		DC60-00113A	BOLT HEX; SM10C,L66,BOLT+WASHER	SA	2
10-2	3	WP0040	DC97-16510A	ASSY BRACKET TUB; GRACE-PJT,WF520ABP	SA	1
10-3	3		DC61-00219D	CLAMPER HOSE; SW-50A1S,SK5,-,MFZNT	SNA	1
10-4	3	WP0099	DC61-01482A	BRACKET HEATER; GW-PJT,STS304,T0.5,W96,L2	SNA	1
10-5	3	WH0023	DC97-15298A	ASSY HOSE DRAIN; PURPLE,-,-,-,-,-	SA	1
10-5-1	4	WJ5057	DC65-00014A	CLAMPER HOSE-JOINT; GW-PJT,HSWR-SWRH,-,ZP	SA	1
10-5-2	4	WH5212	DC67-00312A	HOSE FILTER TUB; WF438AAG,EPDM,T2.0,BLACK	SNA	1
10-6	3	WB5199	DC66-00343F	DAMPER SHOCK; GW-PJT,STEEL+PP+RUBBER,WHIT	SA	2
10-7	3	WE5044	DC90-10128N	ASSY THERMISTOR; WASHER,5V,-20~125125	SA	1
10-8	3	WT0002	DC97-14604T	ASSY S.TUB BACK; PURPLE-K,WW-,WASH,HCH BE	SA	1
10-8-1	4	WS0119	DC62-00156A	SEAL OIL; TS85-PJT,NBR(OD84),BLK,-,-,-,JI	SA	1
10-8-2	4	WO0055	DC69-00804A	SEAL TUB; GW-PJT,EPDM,BLK,-,614.34,-,614.	SNA	1
10-9	3	WX0434	6002-000471	SCREW-TAPPING; TH,+,-,1,M4,L12,PASS,STS30	SA	1
10-10	3	WX0622	6002-001306	SCREW-TAPPING; TH,+,-,1,M4,L14,ZPC(WHT),SWR	SA	6
11	2	WX0558	6011-001644	BOLT-HEX; M10,L35,ZPC2,SM10C,DAMPER	SA	4
12	2	WJ5110	DC97-06080C	ASSY BOLT; BOLT+WASHER(OD38),,,,,,	SA	1
13	2	WJ0109	6031-001640	WASHER-SPRING; STS304,ID35.2,OD39.0,T0.3,	SNA	1



## 4. Assy Frame Front&Door

### Exploded View



### Parts List

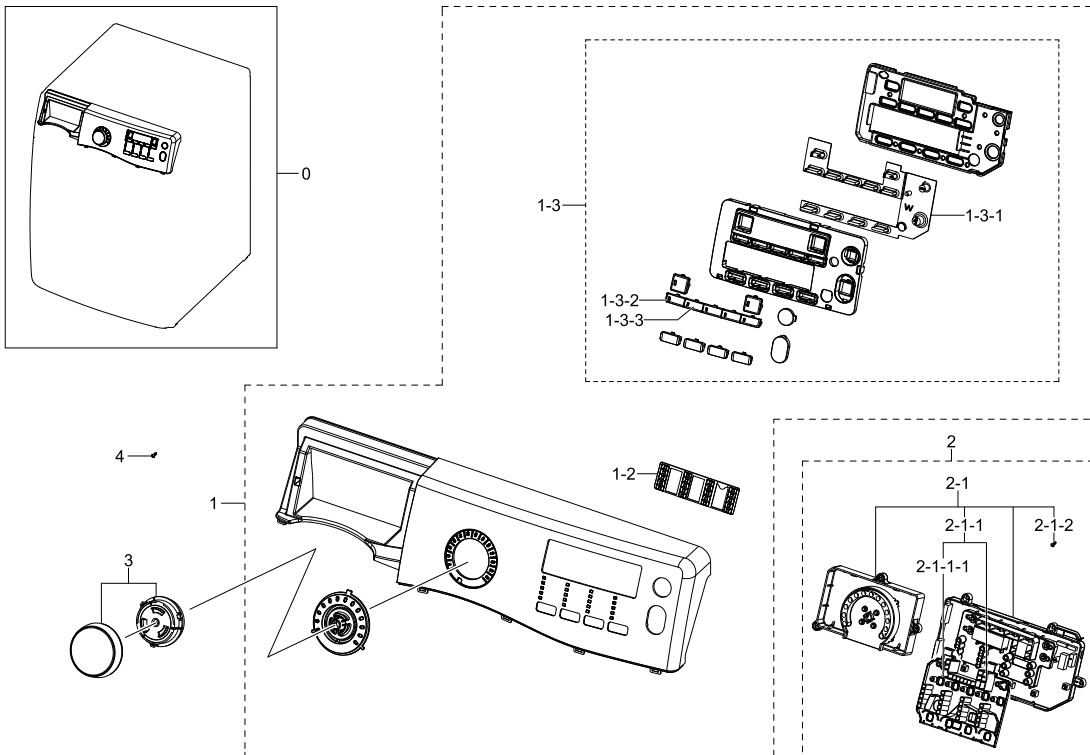
No.	Lvl.	Loc.	Material Code	Description & Specification	SNA	Qty.
1	2	WD0003	DC97-16099Q	ASSY DOOR; YUKON-K,WR-PP179CS,EP HINGE,CR	SA	1
1-1	3	WX0403	6001-001668	SCREW-MACHINE; TH,+,M5,L16,PASS,STS430,FP	SA	1
1-2	3	WX0621	6002-000444	SCREW-TAPPING; TH,+,2,M4,L14,PASS,STS430	SA	15
1-3	3	WX0427	6002-000445	SCREW-TAPPING; TH,+,NO,2,M4,L18,PASS,STS4	SA	8
1-4	3	WX0465	6002-001279	SCREW-TAPPING; PWH,+,1,M4,L12,PASS,STS430	SA	2
1-5	3	WD0090	DC61-00891A	GUIDE HINGE; HAUZEN(DOM),POM,-,-,-,WHT,HI	SA	4
1-6	3	WD0134	DC61-01576A	SUPPORT HINGE; FRONTIER-PJT,GI-SGCC,T1.4,	SA	1
1-7	3	WD0096	DC61-03204A	HINGE DOOR; Ace/Purple,PA66,T5.0,-,RODIA-	SNA	1

## Exploded Views and Parts List

No.	Lvl.	Loc.	Material Code	Description & Specification	SNA	Qty.
1-8	3	WD0104	DC61-01972A	HOLDER GLASS; PURPLE-PJT,PP,T3.5,DARK HOL	SA	1
1-9	3	WD0070	DC64-00504C	DOOR GLASS; ALL MODEL,GLASS,ARC/SODALIME	SA	1
1-10	3	WD0114	DC66-00375A	LEVER DOOR; 10KG DRUM,ZNDC,T2.5,-,-,-,N	SC	1
1-11	3	WD0001	DC97-16100A	ASSY COVER DOOR; SQUALL,WF350ANW/XAA	SA	1
1-11-1	4	WD0037	DC63-01166A	COVER DOOR; WF350,ABS,-,-,MP-0160R,Cr.P	SNA	1
1-11-2	4	WD0079	DC64-02215A	DOOR SAFETY; WF350ANW,PETG,T2.5,-,JN200,N	SA	1
2	2	WF0005	DC97-16525T	ASSY FRAME FRONT; YUKON GLOBAL,WF431ABW/X	SA	1
2-1	3	WX0419	6002-000239	SCREW-TAPPING; TH,+,NO,2S,M4,L8,ZPC(WHT),	SA	7
2-2	3	WH0010	DC61-01081A	HOLDER HOSE; Q1636,PA,T1.5,NTR,TS-2 PJT	SA	2
2-3	3	WF0082	DC61-02003A	FRAME FRONT; WF448AAW/XAA,EGI-SECD,-,NEAT	SNA	1
2-4	3	WF0053	DC64-02628A	DECORATION-FRONT; WF431ANW,ABS,HB,CR PLAT	SA	1
2-5	3	WE0064	DC63-00960A	COVER-SWITCH(O); WF218,POM,T3,NATURAL,DOO	SA	1
4	2	WE0165	DC34-00024A	SWITCH DOOR-LOCK; AC250V,16,SOLNOID, DOOR	SA	1
5	2	WE0059	DC63-01356A	COVER DOOR SWITCH; WR-DA157UW,PP,-,-,-,-,	SA	1
6	2	WO0062	DC72-00015L	ABSORBER SPONGE; WF448AAW,PE FOAM,T9.0,W7	SA	1

## 5. Assy Panel Control

### Exploded View



### Parts List

No.	Lvl.	Loc.	Material Code	Description & Specification	SNA	Qty.
0	2	WC0016	DC97-18847A	ASSY PANEL CONTROL; WF431ABW/XEF,FRENCH	SNA	1
1	3	WC0018	DC97-17695C	ASSY S.PANEL CONTROL; WF431ABW/XEF,FRENCH	SA	1
1-2	4	WC0154	DC64-02631A	DECORATION-LED(S); WF431,ABS+PMMA,HB,GRAY	SA	1
1-3	4	WC0001	DC97-18855A	ASSY BUTTON; WF431ABW/XEF	SA	1
1-3-1	5	WC0059	DC64-02671A	BUTTON RUBBER; WF431,SILICON,Transparency	SA	1
1-3-2	5		DC64-02650S	BUTTON PUSH-OPTION; WD17F7K5ASG/YL,ABS,-,	SA	1
1-3-3	5		DC64-02651R	BUTTON PUSH-OPTION; WD17F7K5ASG/YL,ABS,-,	SA	1
2	3	WZ0025	DC92-00773G	ASSY PCB SUB; P171,YUKON GLOBAL SUB,Washe	SA	1
2-1	4	WZ0050	DC94-02448A	ASSY PCB MANUAL; YUKON GLOBAL SUB,YUKON G	SNA	1
2-1-1	5		DC97-16730A	ASSY GUIDE LED; YUKON-PJT,WF431	SNA	1
2-1-1-1	6	WC0088	DC61-03195A	GUIDE LED; WF431,HIPS,W158.7,L122.3,H22.7	SA	1

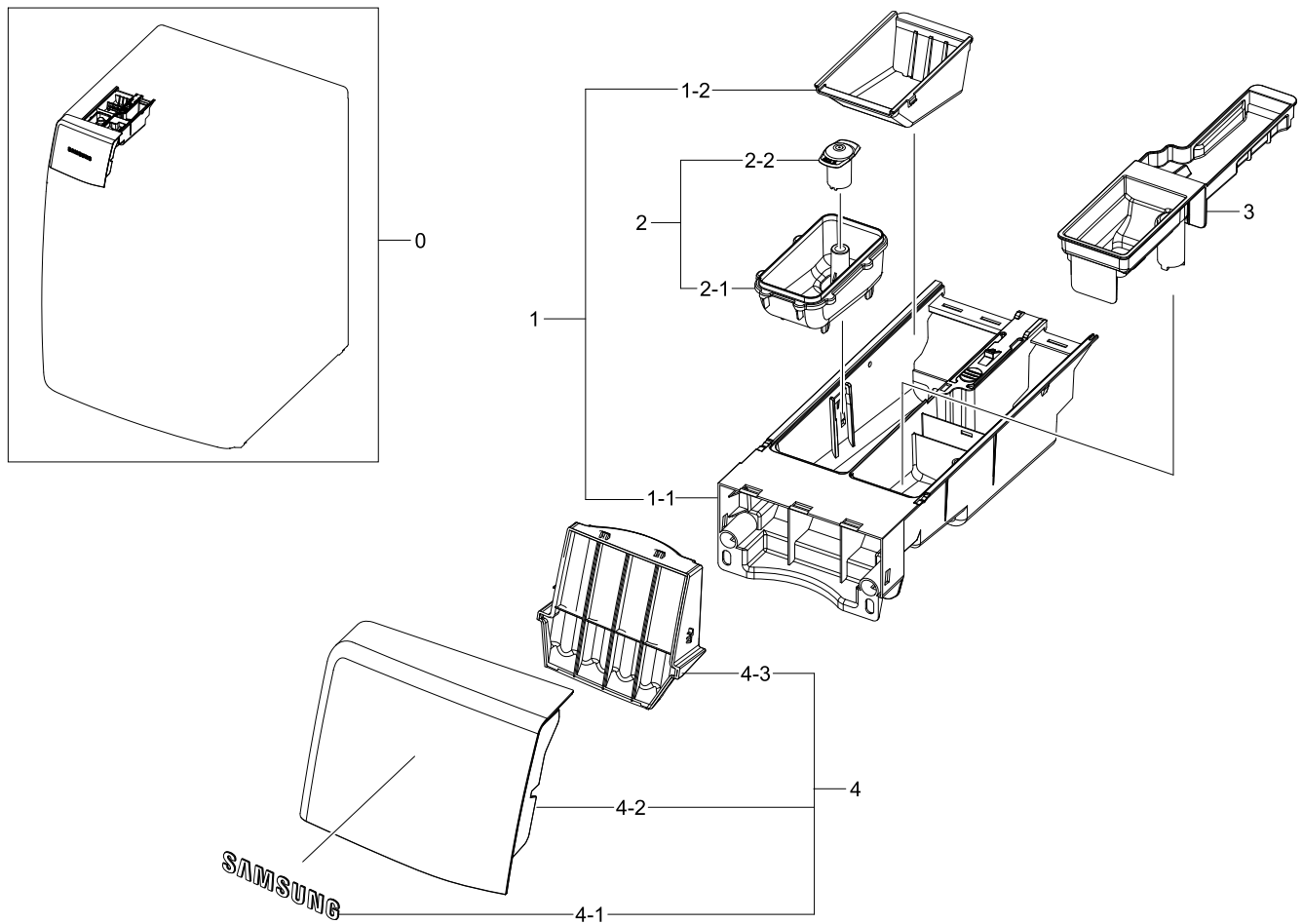
Exploded Views and Parts List

---

No.	Lvl.	Loc.	Material Code	Description & Specification	SNA	Qty.
2-1-2	5	WX0419	6002-000239	SCREW-TAPPING; TH,+,NO,2S,M4,L8,ZPC(WHT),	SA	3
3	3	WC0009	DC97-16931A	ASSY KNOB ENCODER; WA45H7000AW/A2	SA	1
4	3	WX0622	6002-001306	SCREW-TAPPING; TH,+,1,M4,L14,ZPC(WHT),SWR	SA	6

## 6. Assy Drawer

### Exploded View



### Parts List

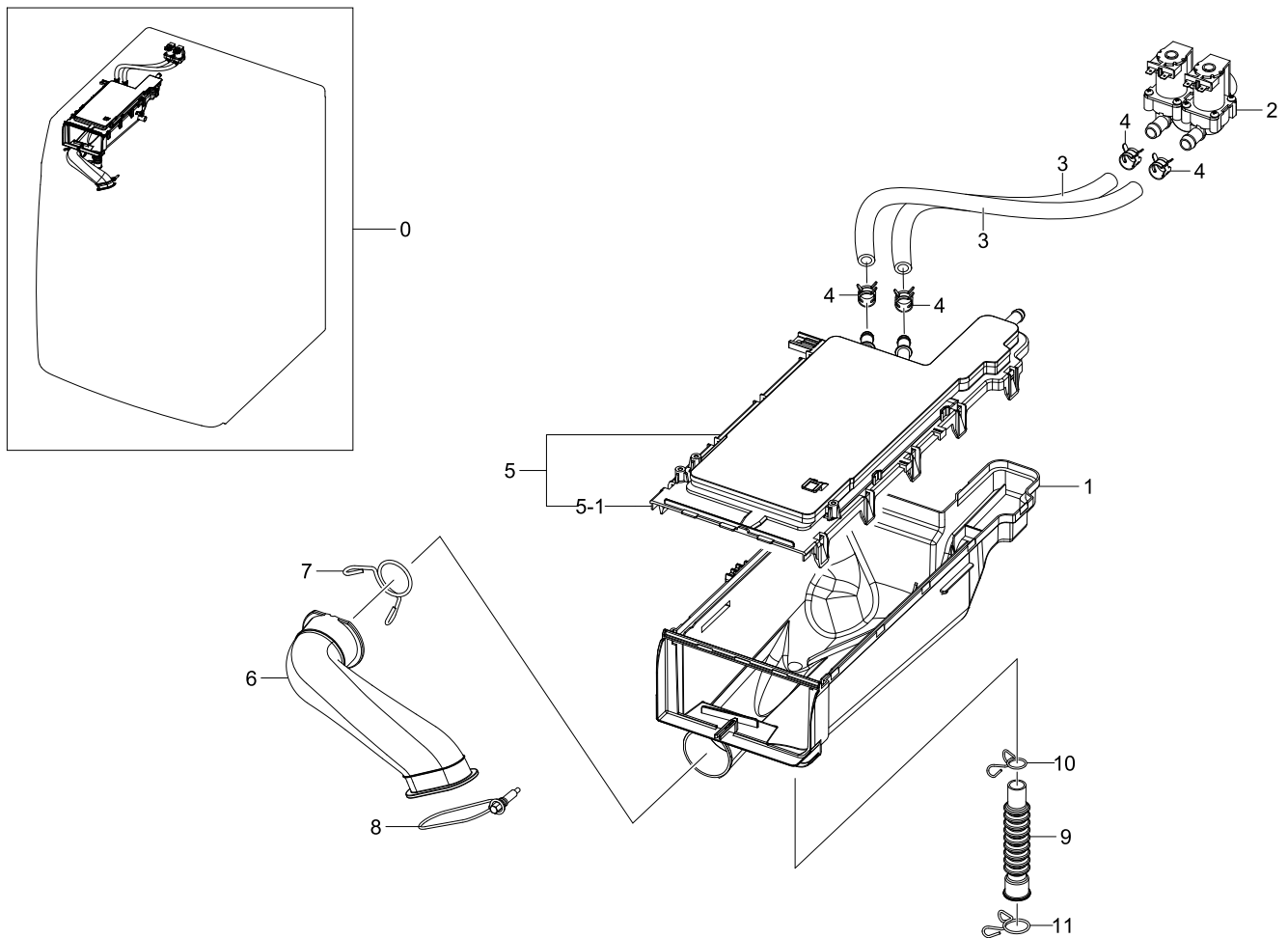
No.	Lvl.	Loc.	Material Code	Description & Specification	SNA	Qty.
0	2	WR0005	DC97-16619R	ASSY DRAWER; YUKON GLOBAL,WF431ABW/XEF	SNA	1
1	3	WR0011	DC97-16898A	ASSY S.DRAWER; YUKON-GLOBAL,WD1102XVM/XSA	SA	1
1-1	4	WR0029	DC61-01992F	BODY DRAWER; PP,T2.0,L327.5,W149.4,WHITE,	SA	1
1-2	4	WI0144	DC61-02445A	CASE PRE WASH; ACE-PJT,PP,T1.8,WHT,TB53	SA	1
2	3	WR0004	DC97-17022B	ASSY DETERGENT; YUKON,WD1102XVM/XSA,PP,EN	SA	1
2-1	4	WI0353	DC61-02427D	GUIDE LIQUID-MIDDLE; WD1102XVM/XSA,PP,T2.	SA	1
2-2	4	WI0108	DC67-00420A	CAP DRAWER; WF419HAW,PP,T2.0,HB,FC2305,Ho	SC	1
3	3	WI0125	DC67-00370C	CAP RINSE; WD1102XVM/XSA,PP,T2.0,HB,FC230	SA	1

## Exploded Views and Parts List

No.	Lvl.	Loc.	Material Code	Description & Specification	SNA	Qty.
4	3	WC0017	DC97-18854A	ASSY PANEL DRAWER; WF431ABW/XEF,ENGLISH	SA	1
4-1	4	WC0114	DC64-02707A	MASCOT; WF431 / DV431,NICKEL,T0.06,W80,L1	SC	1
4-2	4	WC0120	DC64-02632B	PANEL DRAWER; WF431ABW/XAA,ABS,HB,HH-106,	SA	1
4-3	4	WC0080	DC64-02633A	DECORATION PANEL DRAWER; WF431,ABS,T2.0,-	SA	1

## 7. Assy Housing Drawer

### Exploded View



### Parts List

No.	Lvl.	Loc.	Material Code	Description & Specification	SNA	Qty.
0	2	WR0008	DC97-14522R	ASSY HOUSING DRAWER; YUKON-GLOBAL,WF431AB	SNA	1
1	3	WR0039	DC61-01987B	HOUSING DRAWER-LOW; WF438AAW,PP,T1.8,WHT,	SA	1
2	3	WE5155	DC62-00024F	VALVE WATER; AC220-240V,Bracket,1in 2out,	SC	1
3	3	WH5267	DC67-00051B	HOSE DRAWER; Q1636GW/XEU,EPDM,ID9.0,OD14.	SA	1
4	3		DC65-00008A	CLAMPER HOSE; SEW-DR605,SK5,-,ID14.2/T0.9	SNA	4
5	3	WR0012	DC97-16597C	ASSY S.HOUSING DRAWER; YUKON-GLOBAL,WF431	SA	1
5-1	4	WR0040	DC61-03026C	HOUSING DRAWER-MIDDLE; WF431ABP/XEU,PP,NT	SA	1
6	3	WH5211	DC67-00317A	HOSE DRAWER TUB; WF448AAW,EPDM,ID49,OD58,	SA	1




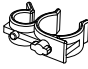







Exploded Views and Parts List

No.	Lvl.	Loc.	Material Code	Description & Specification	SNA	Qty.
7	3	WJ0027	DC72-00001G	CLIP RING; HEBA-PJT,HSWR-SWRH,T3.0,ID49.5	SNA	1
8	3		DC65-00020A	CLAMPER HOSE-JOINT; WF448AAW,HSWR-SWRH,-,	SNA	1
9	3	WH5217	DC67-00275A	HOSE AIR; SEW-HTR122L,EPDM,ID21,BLACK	SA	1
10	3	WJ0027	DC65-60118N	CLIP RING; SEW-5HW116,HSWR-SWRH,T2.0,ZPC2	SNA	1
11	3	WJ0027	DC65-60125B	CLIP RING; HSWR-SWRH,PI2.4,ID25,-	SNA	1



## 8. Small Parts

### Exploded View

								
1	2	3	4	5	6	7	8	
								
9	10	11						

### Parts List

No.	Lvl.	Loc.	Material Code	Description & Specification	SNA	Qty.
1	2	WI0293	DC61-01736B	HOLDER WIRE; WF337AAW,PA,T2.3,NATURAL,-	SA	1
2	2	WI0294	DC61-00553B	HOLDER WIRE; PA66,-,NATURAL,-,101F,NC0001	SA	3
3	2	WI0293	DC61-40081A	HOLDER WIRE; DAWH-2NC,PA66,-,NATURAL,-	SA	2
4	2		DC61-00133A	CLAMPER HOSE-FIX; P1291,PP,-,HOSE+PLUG,BJ	SNA	1
5	3	WI0294	DC61-00553C	HOLDER-WIRE SADDLE; PA,NTR,NYLON66	SA	1
6	4	WI0293	DC61-01736B	HOLDER WIRE; WF337AAW,PA,T2.3,NATURAL,-	SA	2
7	3	WI0294	DC61-00553B	HOLDER WIRE; PA66,-,NATURAL,-,101F,NC0001	SA	1
8	4	WI0293	DC61-40081A	HOLDER WIRE; DAWH-2NC,PA66,-,NATURAL,-	SA	1
9	3	WJ0021	6501-000121	CABLE TIE; DA-368,-,-,NTR,NYLON66	SNA	1
10	2		6502-000127	CABLE CLAMP; DAWH-18NB,PA66,NTR	SNA	2
11	2		DC61-00118A	CLAMP-CABLE; P1291,PA66,NATURAL,NC0001	SNA	1